



Wide View Waterproof Rearview IR Camera



IP69K Rating 100% Waterproof Protection

Models

RVC- 18
Rear View

Special Designed LEDs
Enhanced Night Vision Quality

Features

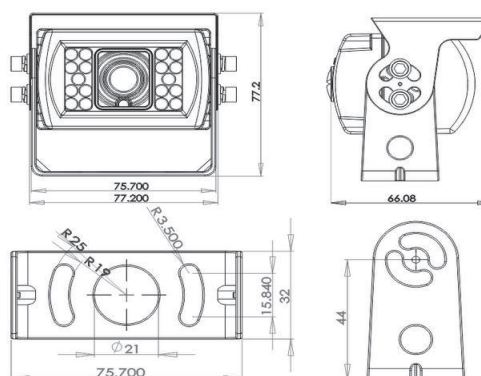
Infrared LEDs - Night Vision
140° Camera View Area
10G Shockproof Protection
IP-69K Waterproof Camera
IP-69K Waterproof Connectors
Sharp® Camera Chip Technology

Model	
Sensor	1/3" Color SHARP CCD, 420TVL
Total Pixels	NTSC: 510(H)X492(V); PAL: 500(H)X582(V)
Illumination	0Lux (IR ON)
Viewing Angle	140 degree
Video Output	1.0Vp-p75
Camera Cover	Alloy
Shockproof	10G
NORMAL/MIRROR Screw	YES
Backlight Compensation	On/Off
Operation Temperature	-20° C~+70° C RH95% Max. (AUTO Heating Optional)
Day & Night	Auto/Day/Night
Storage Temperature	-40° C~+80° C RH95% Max.
White Balance	Auto/Manual
Operating Voltage	DC12V
IR LEDs	18PCS
Night Vision Distance	17M
Dimensions(mm)	75(W) x 43(H) x 38(D) mm
Weight	179g

TTI Tracking Technology Inc.
Suite 200 - 4170 Still Creek Drive
Burnaby
BC
V5C 6C6
Canada

www.tt-i.info

Ref: DF4103



* Design and specifications are subject to change without notice.