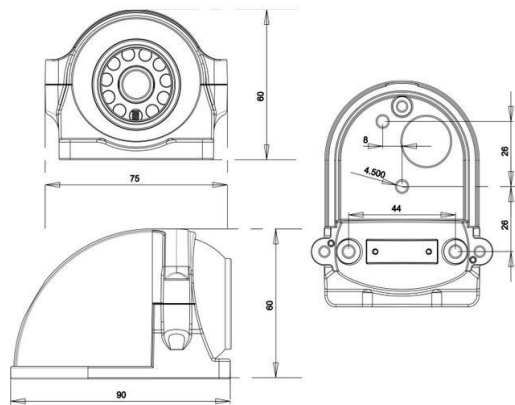




## Side View Camera (BX4DF8033)



Model	DF-8033
Image Pick-up Device	1/3" SHARP COLOR CCD
Horizontal Resolution	420 TV Lines
Number of Pixels	NTSC:510(H)×492(V); PAL:500(H)×582(V)
Scanning System	NTSC:525 Lines,60 Field/sec, PAL:625 Lines 50 Field/sec
Sync System	Internal Synchronization
Gamma Characteristics	0.45

S/N Ratio	≥48dB(AGC Off)
Electronic Shutter Time	On: NTSC 1/60~1/100,000Sec,PAL 1/50~1/100,000Sec; Off: NTSC 1/60 Sec, PAL 1/50 Sec
Usable Illumination	0 lux with built-in IR LED
IR Distance	10 meters(10 Unit Infrared LEDs)
IR Status	Under 10 Lux by CDS
IR Power On	CDS Auto Control
Lens	Board Lens 2.9mm/F2.0(optional)
Video Output	1.0Vp-p 75 ohm
Gain Control(AGC)	Auto
Waterproof Level	IP69K
Operation Temperature	-20℃~+50℃ RH95% Max
Storage Temperature	-40℃~+80℃ RH95% Max
Power Supply	DC12V±10% 400mA
Dimension	55(L) x 63(W) x 74(H)mm
Weight	250g

**TTI Tracking Technology Inc.**  
Suite 200 - 4170 Still Creek Drive  
Burnaby  
BC  
V5C 6C6  
Canada

[www.tt-i.info](http://www.tt-i.info)

All copyrights reserved 2015