



Wide View Waterproof Rearview IR Camera



Models

Rearview or side mirror positioning

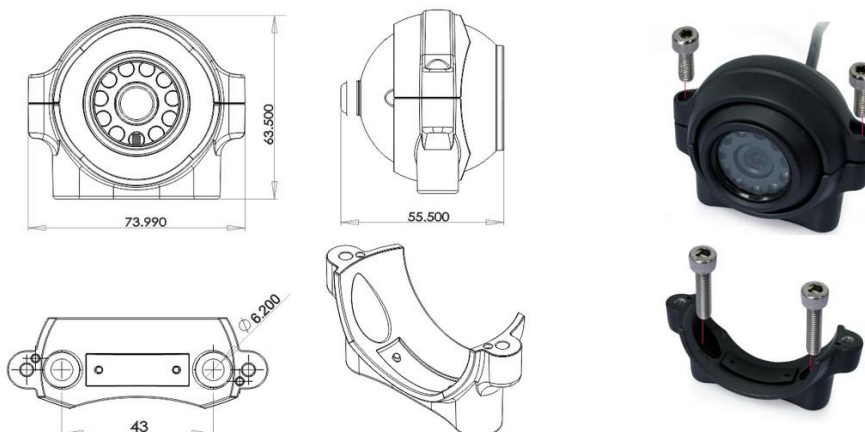
**Special Designed LEDs
Enhanced Night Vision Quality**

Features

- Infrared LEDs - Night Vision
- 140° Camera View Area
- 10G Shockproof Protection
- IP-69K Waterproof Camera
- IP-69K Waterproof Connectors
- Sharp® Camera Chip Technology

IP69K Rating 100% Waterproof Protection

Model	IP69 Exterior camera
Sensor	1/3" Color SHARP CCD, 420TVL
Total Pixels	NTSC:510(H)X492(V); PAL:500(H)X582(V)
Illumination	0Lux (IR ON)
Viewing Angle	140 degree
Video Output	1.0Vp-p75
Camera Cover	Alloy
Shockproof	10g
NORMAL/MIRROR Screw	NO
Backlight Compensation	On/Off
Operation Temperature	-20° C~+70° C RH95% Max.
Day & Night	Auto/Day/Night
Storage Temperature	-40° C~+80° C RH95% Max.
White Balance	Auto/Manual
Operating Voltage	DC12V
IR LEDs	10PCS
Night Vision Distance	15M
Dimensions(mm)	55(L) x 63(W) x 74(H)mm
Weight	200g



TTI Tracking Technology Inc.
Suite 200 - 4170 Still Creek Drive
Burnaby
BC
V5C 6C6
Canada

www.tt-i.info

Ref: DF8053

* Design and specifications are subject to change without notice.